

Combined Body Mount Antenna with GPS and Glonass

CTFANT-TRIPLE



Combined Body Mount Antenna with AMPS, GSM, GPS, Glonass,
DCS, PCS, 3G, WiFi and Bluetooth.

Technical Data - CTFANT-TRIPLE

GSM/UMTS Specifications

Frequency range:	
GSM 850 / 900 MHz	900 MHz
Gain	2.2 dBi
VSWR	<3:1
Polarization	Vertical
Impedance	50 Ohm

GPS Specifications

Center frequency:	1575.42 MHz
Power gain	26dB at 3V, 27dB at 5V dB
Noise figure	1.15 -dB
Polarization	RHCP
VSWR	<1.2:1
Impedance	50 Ohm
Supply voltage	2.7 - 5.5 V
Current	15 - 25 mA

W-LAN/BT Specifications

Frequency	2.4 GHz
Gain	2 dBi
VSWR	< 2.1
Polarization	vertical
Impedance	50 Ohm



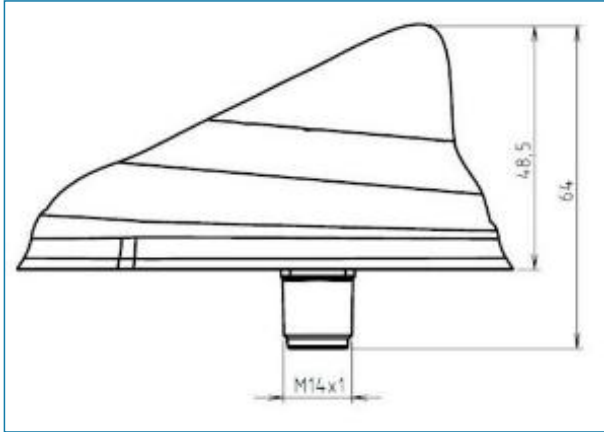
Combined GPS and GLonass Body Mount Antenna

Order-Number: CTFANT-TRIPLE

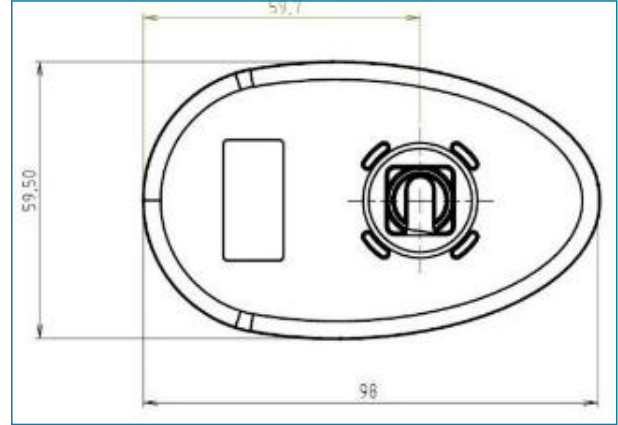
Basic Informations

Size	64mm x 98mm x 59.5mm mm
Temperature	-40 to 85 °C
Cable length	3000 mm
Cable type	RG174U
Con GSM	SMA male
Con GPS	SMA male
Con WIFI	SMA male
Notes	<p>Body mount</p> <p>Material: Lid:ABS /Base:Zamak/Gasket: TPE Max. dimensions: 64mm x 98mm x59.5mm Weight:246g 'counted with default connection' Colour: Black (for different colours please ask our sales team) Mounting hole: Square (15 x 15 mm)</p>

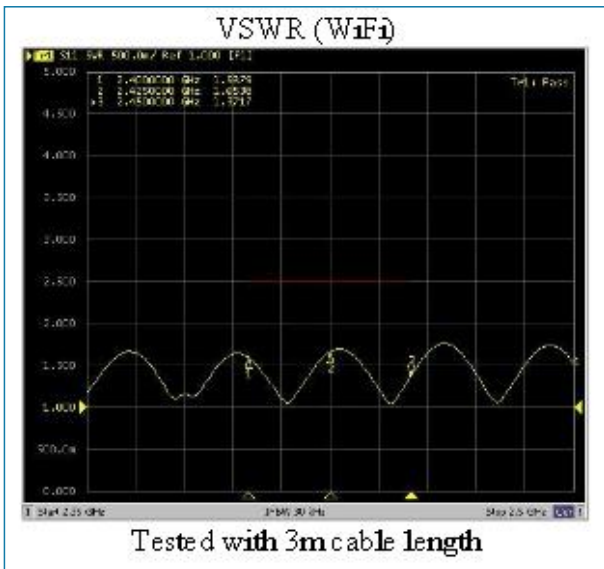
Antenna Graphs - CTFANT-TRIPLE



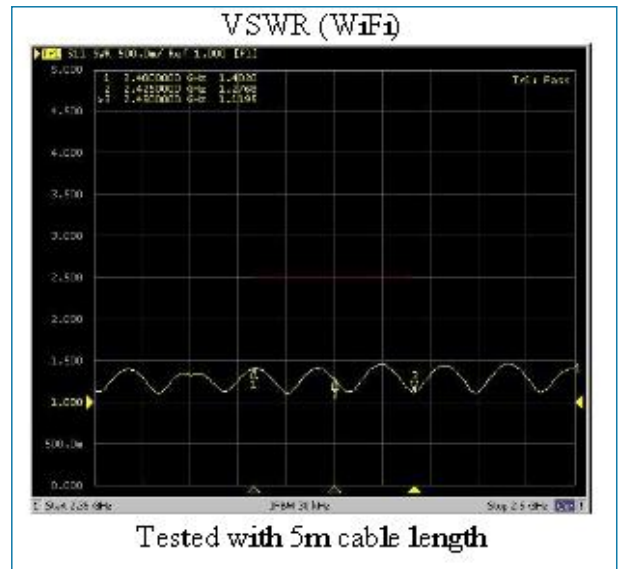
Mechanical Specifications and Dimensions



Mechanical Specifications and Dimensions

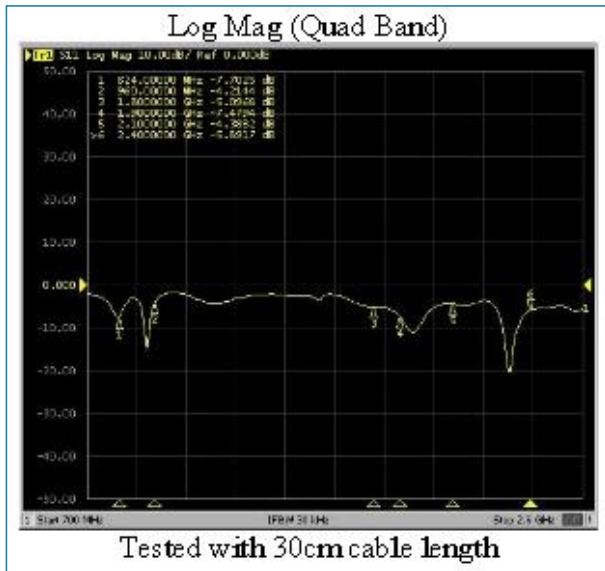


Measurement

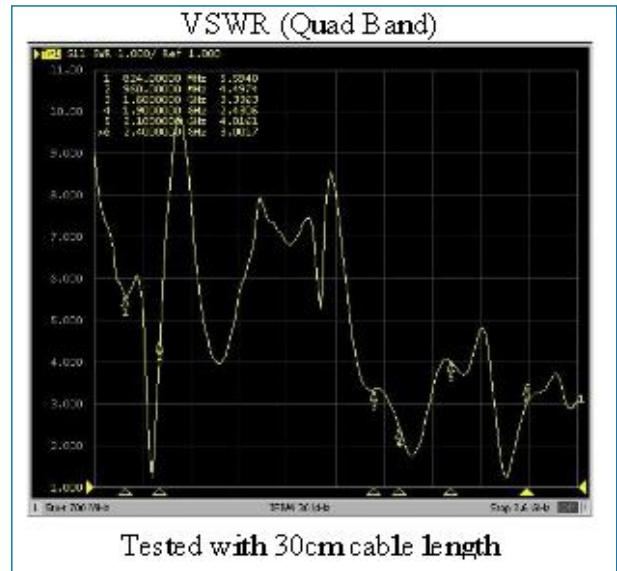


Measurement

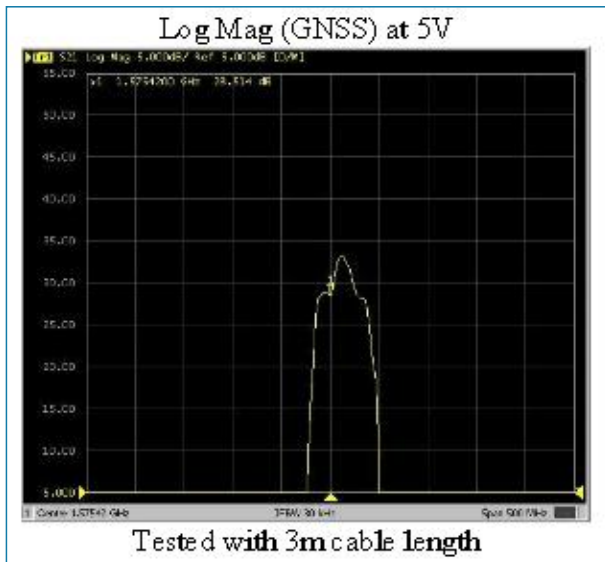
Antenna Graphs - CTFANT-TRIPLE



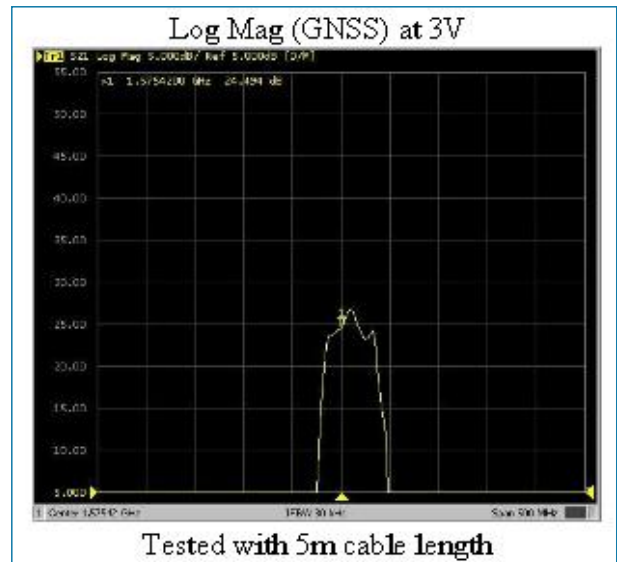
Measurement



Measurement



Measurement



Measurement

Antenna Graphs - CTFANT-TRIPLE



Images

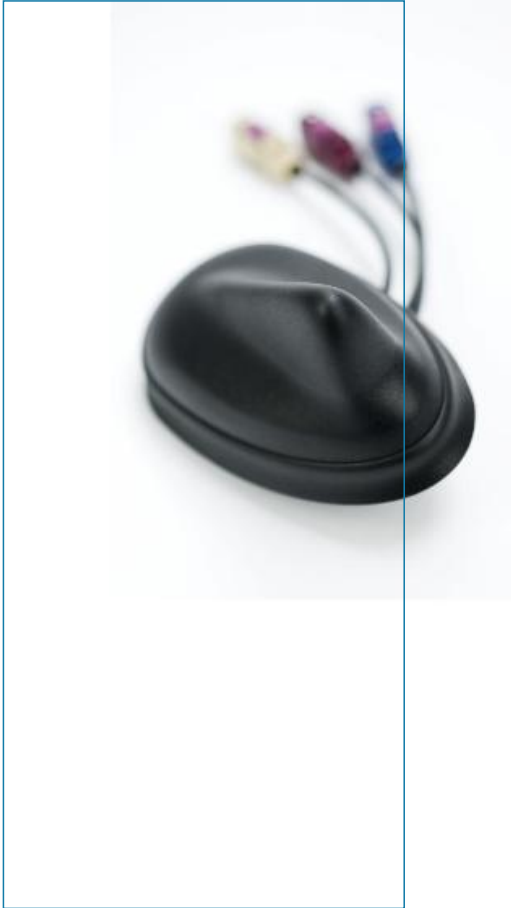


Images



Images

Antenna Graphs - CTFANT-TRIPLE



Images